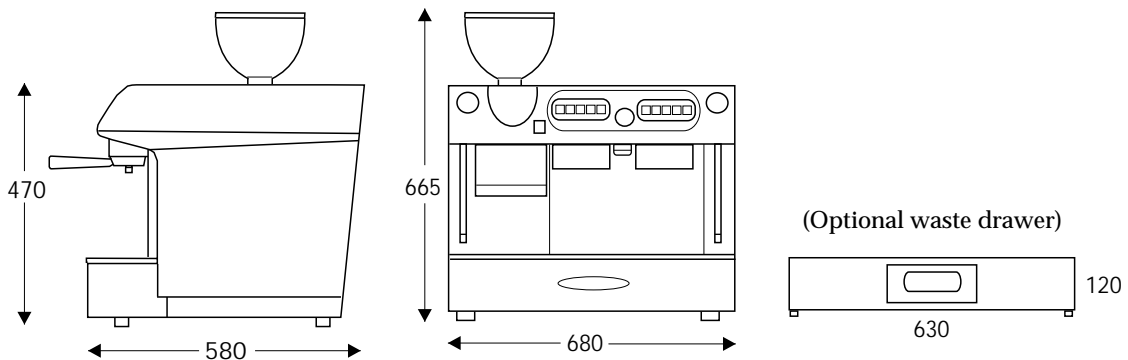




## 2 Group Mega Plus

Fantastic machine ideal for the medium outlet up to 100 covers. Features include compact in appearance with a large 10.0 litre capacity boiler. Two steam arms and programmable hot water facility. Easy to program coffee doses via electronic keypads with independent group control. Built in automatic level control with integral rotary pump. Integral auto stop grinder with large 1 kilo bean hopper. Finished in highly polished stainless steel and supplied with waste and cold water connection pipes. Standard 13A plug connection to mains, the 2 Group Mega Plus is a must for the space conscious but demand is still required.



Model	Groups	Boiler Cap	Voltage	Wattage	Amps	Weight
2 Group Mega Plus	2	10.0 ltr	220V	2850W	12.5A	40Kg