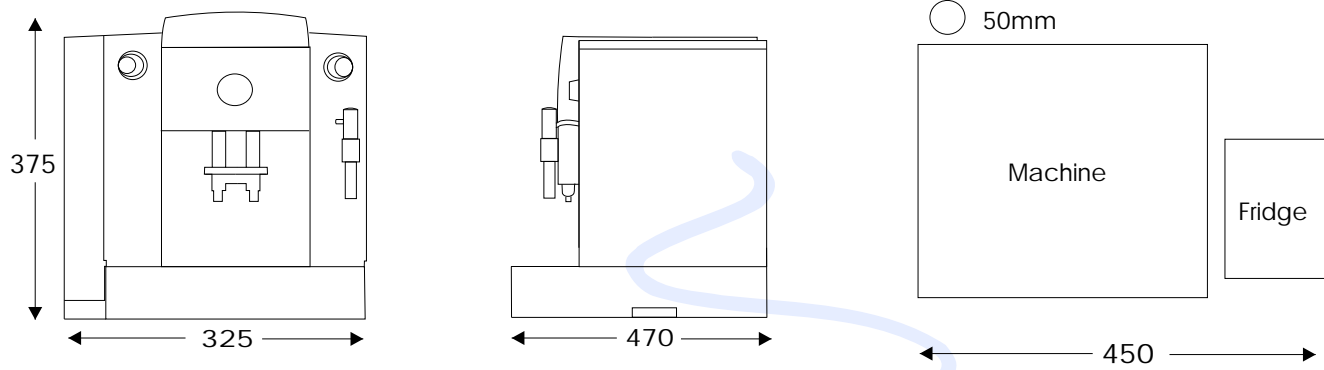


Installation Check List For Your Jura Machine



Model	Group Height	Water Tank	Voltage	Wattage	Amps	Weight
XF70	70mm-111mm	3.2lt	220V	1450W	6.5A	11.0Kg

Please Check All Boxes

- | | | | |
|---|--------------------------|--|--------------------------|
| Electrical supply socket within 1 metre | <input type="checkbox"/> | Is work top less then 900mm in height | <input type="checkbox"/> |
| 15 mm Dedicated cold water supply within 1 metre with 3/4" washer valve | <input type="checkbox"/> | Has 50mm diameter hole been made through work top for pipes if plumbed | <input type="checkbox"/> |
| Access to the bean hoppers, (no shelves above etc) | <input type="checkbox"/> | Space for water filter under work top if the machine is plumbed in? | <input type="checkbox"/> |
| Work top area complete and with space for machine | <input type="checkbox"/> | All construction work in the area is complete? | <input type="checkbox"/> |
| The electrical and water supplies are working? | <input type="checkbox"/> | | |